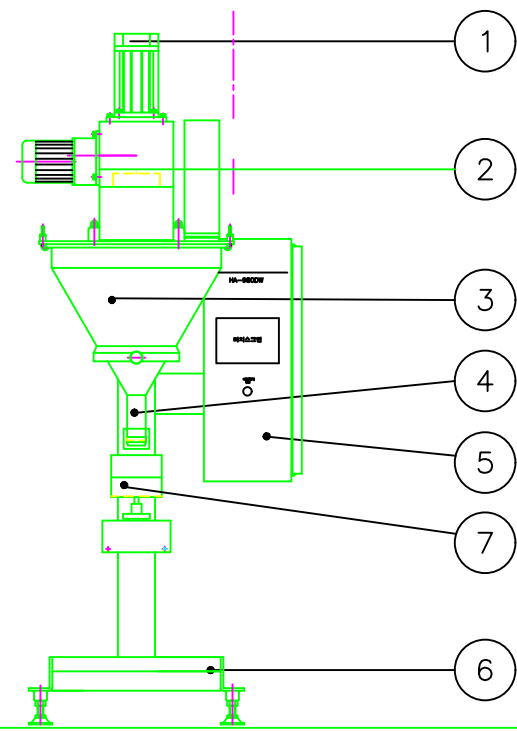
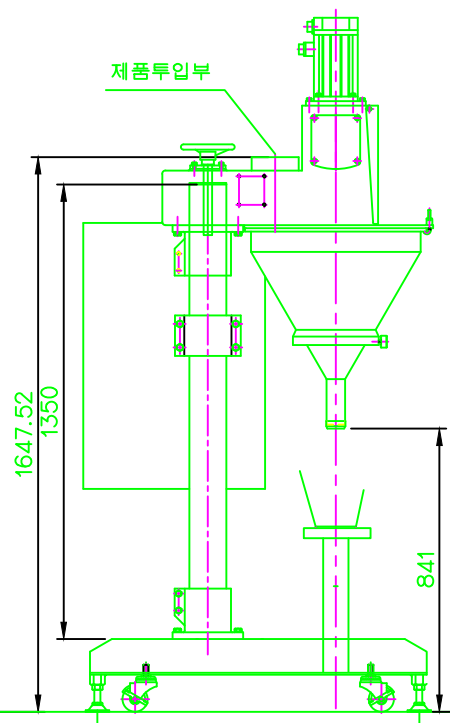
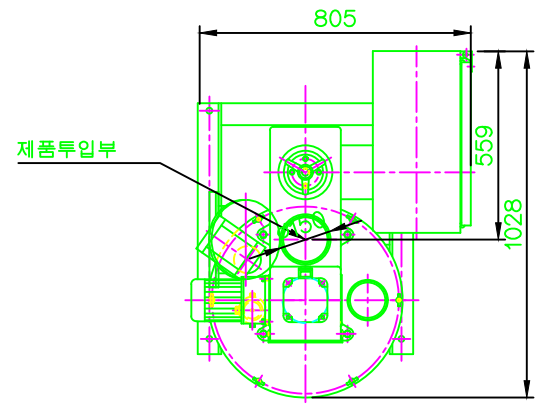


2017-HA-980용

No.	품명	제질	수량	비고



DESIGN SPECIFICATION

1	AUGER DRIVE MOTOR
2	AGITATOR DRIVE MOTOR
3	AUGER HOPPER
4	AUGER CYLINDER
5	AUGER CONTROL PANEL
6	AUGER FILLER STAND
7	WEIGHING DEVICE

ITEM	HA-980DW	PART	LAYOUT
SCALE	1 / 20	DATE	20150209
		PROJECTION	DESIGNED
		THIRD ANGLE	
한샘테크		DWG.No	AH-980DW-2017